

T80 THREADED TOP MOUNT ADAPTOR

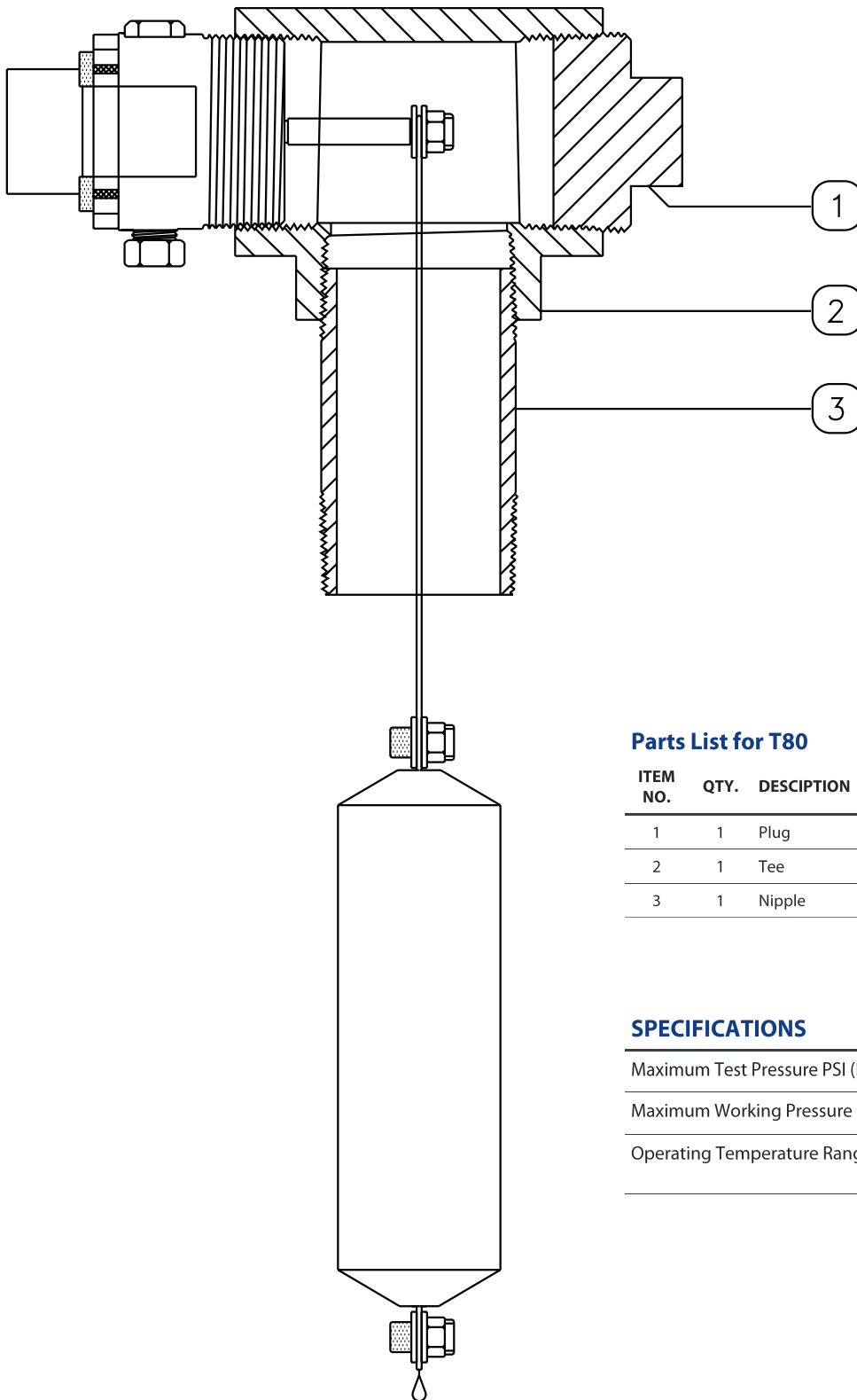


www.k-dyne.com

702 South Persimmon, Suite 1C
Tomball, TX 77375
P: 281.397.7099
F: 281.397.7495

MODEL T80 THREADED TOP MOUNT ADAPTOR

The T80 Top Mount Threaded Adaptor is designed specifically for mounting the K-Dyne Model L80 pneumatic and electric level switches with vertical displacers. Incorporating a 2" NPT thread, this design is well suited for mounting the level switch directly to a tank or pressurized



Parts List for T80

ITEM NO.	QTY.	DESCRIPTION	MATERIAL	PART NO.
1	1	Plug	Malleable Iron	LP-4C200SP
2	1	Tee	Malleable Iron	LP-4C222FT
3	1	Nipple	Carbon Steel	LP-4C204PN

SPECIFICATIONS

Maximum Test Pressure PSI (BAR) @ 100° F (37° C)	425 (29)
Maximum Working Pressure PSI (BAR) @ 100° F (37° C)	275 (19)
Operating Temperature Range	See Level Switch Range

Ordering Number T80-21TC00004